

HOIST INQUIRY FORM

Instruction on the sending of the form

The following form can be filled out and sent in 2 ways:

1. Fill out and transfer electronically
Please fill in the PDF form in Adobe Acrobat or [Acrobat Reader](#), then click „Submit Form” (for the English version of the program) in the upper right hand corner of the application. Then, a mail application will open, where the completed form will be sent via e-mail to Rialex Crane Systems.
2. Fill out electronically or manually and send by fax
Please fill in the PDF form either in Adobe Acrobat or [Acrobat Reader](#), save and print. You can also print a blank form and fill it out by hand. The finished document, should be sent by fax to the Rialex Crane Systems address. Current contact information can be found on the www.rialex.pl website.

How to fill out the form?

Please complete the form as accurately as possible. After completing the form please check if the correct data was provided for the product requested, and make sure your contact details are correct. Thus, we can send you an offer sooner.

Rialex Crane Systems

ul. Ossowskiego 55
46-203 Kluczbork
Poland

Tel. +48 77 418 31 99
Tel. +48 77 418 23 18
Tel. +48 77 418 24 21
Tel. +48 77 418 19 35
Tel./Fax +48 77 418 12 97

Registration information

Przedsiębiorstwo Usług
Inżynierskich Rialex Sp. z o.o.
ul. Ossowskiego 55
46-203 Kluczbork
Poland

Taxpayer Identification Number
751 000 17 98
State Statistical Number
530576014

Company registered in
District Court in Opole,
VIII Commercial Division
of the National Court Registry
under No. 0000155265

Initial capital

240 000 PLN

Bank account

BZ WBK S.A. O/Kluczbork
49 1090 2170 0000 0005 6400 1391

Management board

Adam Byczyński
President of the
Management Board

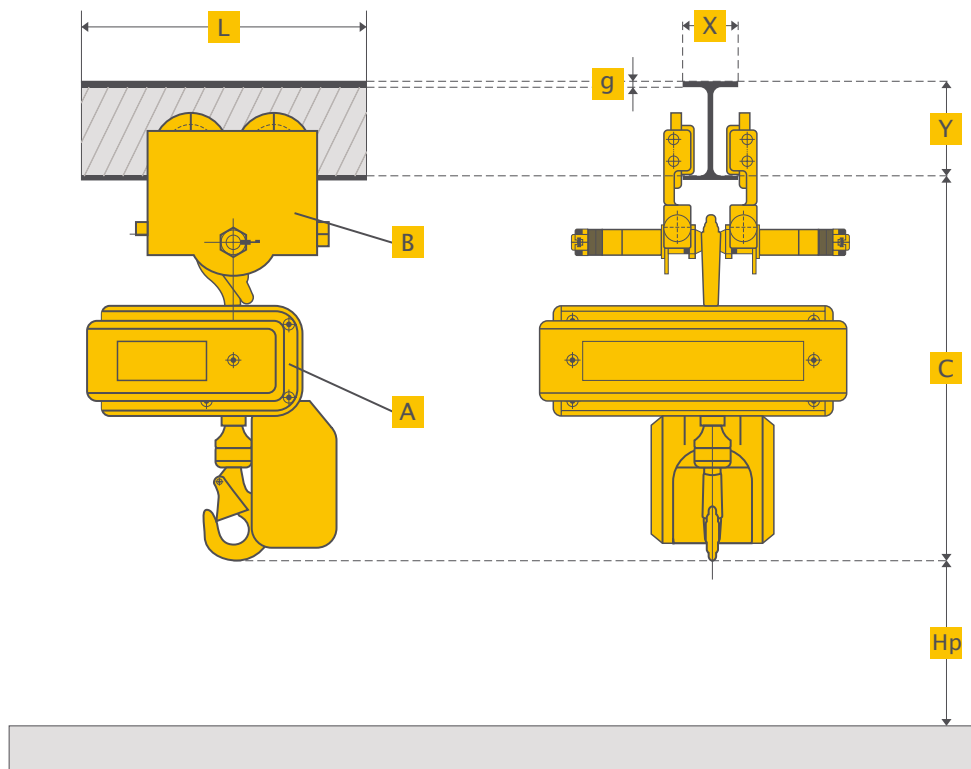
Ryszard Huńka
Vice-President of the
Management Board

Krzysztof Kotowski
Vice-President of the
Management Board

Form

Please complete the following information about your device, so that we can prepare the appropriate calculations and offer:

Information on the hoist:			
hoist A	electric	rope-type	stationary
	manual	chain operated	mobile



Information on the hoist:			
Lifting capacity: [kg]		Lifting height (Hp):..... [m]	
Mobile trolley:	electric	manual	Hoist dead zone C ≤ [m]
Runway characteristics			
X	Y	g	L (total length of the runway)

